

NOTE: 1  
 DESIGN CODE:  
 ISO-EN 13445

NOTE: 2  
 TECHNICAL CLASSIFICATION:  
 Article Type: 003-Valve Stabs  
 Main Group: 3.03. Ø55-Valvestab  
 Intermediate Group: 3.12.01. Stab  
 Sub Group: 3.12.32.6. Hexa

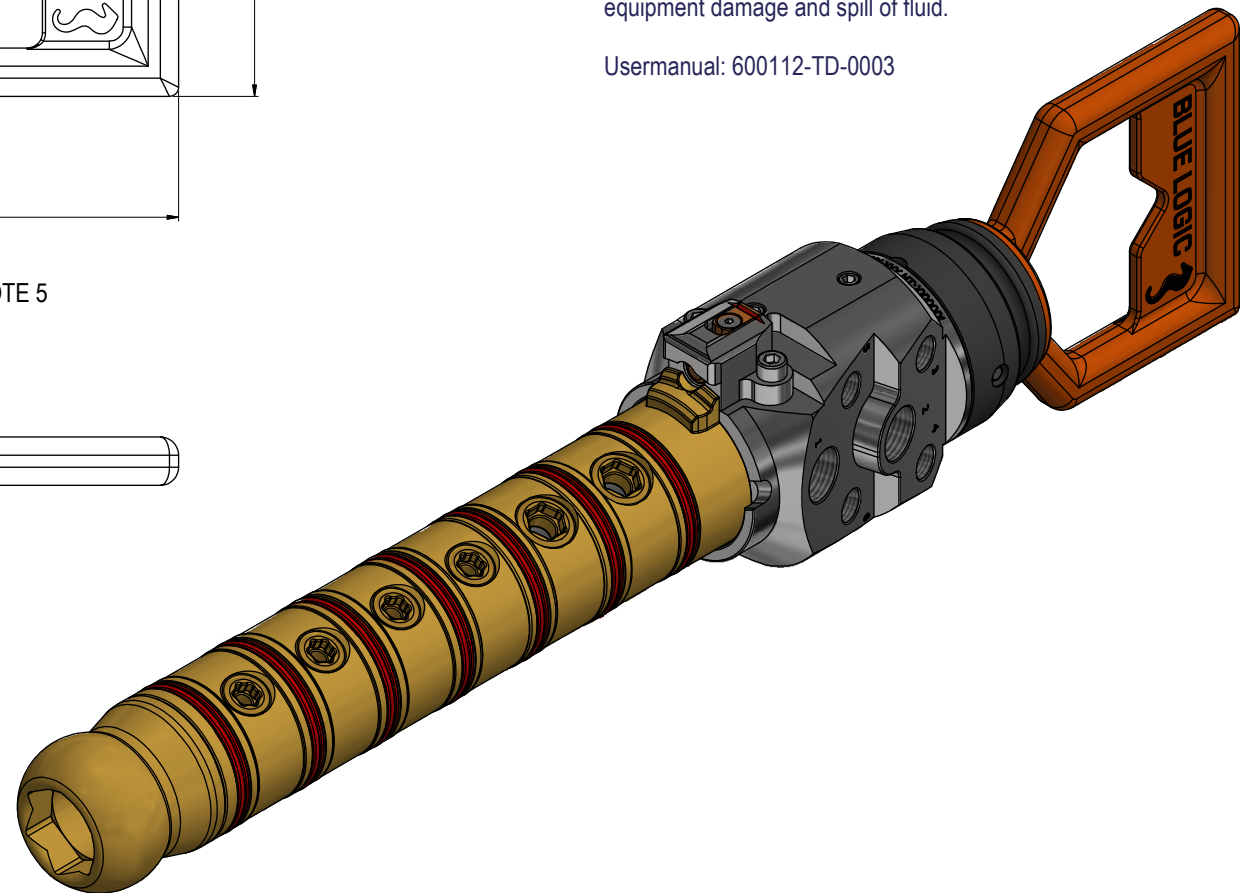
NOTE: 3  
 INTERFACE INFORMATION:  
 Pressure Rating Bar: 250  
 Design Water Depth: 3000m  
 Material: Intervention  
 Weight in Air: 8,9 kg  
 Volume: 1,24 dm<sup>3</sup>  
 Submerged Weight: 7,59 kg  
 Surface Area: 3381 cm<sup>2</sup>  
 Hydraulic: 1/2" BSPx2 - 1/4" BSPx4  
 Mechanical: N/A  
 Electrical: N/A  
 Com. & Protocol: N/A

NOTE: 4  
 SPAREPARTS:  
 BB1689

NOTE 5  
 M8 bolt holes for add on equipment

NOTE: 6  
 ADDITIONAL INFORMATION:  
 This VStab is only compatible with hexa port Vstab receptacles with 2 off 1/2" BSP ports and 4 off 3/8" BSP ports. Mating of Vstabs and Vstab Receptacles with different number of ports may cause injuries, equipment damage and spill of fluid.

Usermanual: 600112-TD-0003



04	10.6.2024	9-IFU (Issued for Use)		WTJ	HNJ	WTJ
03	22.10.2021	9-IFU (Issued for Use)		WTJ	LGH	WTJ
02	20.4.2020	9-IFU (Issued for Use)		WTJ	TBA	LGH
01	3.10.2019	2-IFT (Issued for Tender)		WTJ	HNJ	WTJ
Rev.	Date	Reason for issue	Revision change	Made	Chk'd	Appr.



Dwg Scale:	NTS
Dwg Proj:	
Dwg Format:	A3

Drawing title:	Ø55 HP VStab 250Bar Interv BSP1/2"x2 - BSP1/4"x4	
Drawing number:	BB3884	Rev. 04